



QATAR STEEL
INDUSTRIES FACTORY (W.L.L)
مصنع قطر للصناعات الحديدية

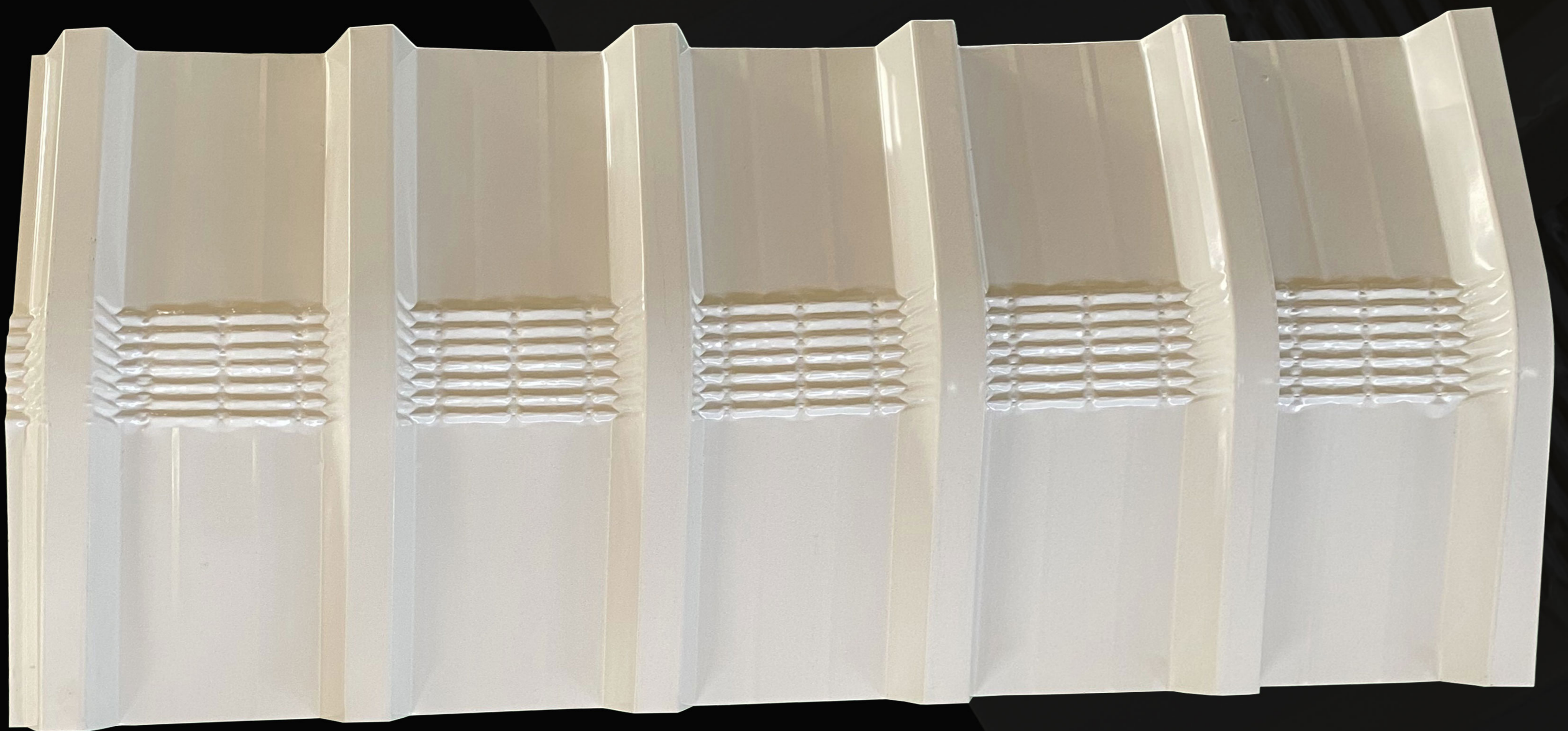
QATAR RIDGE CAP FOR SINGLE SKIN SANDWICH PANEL

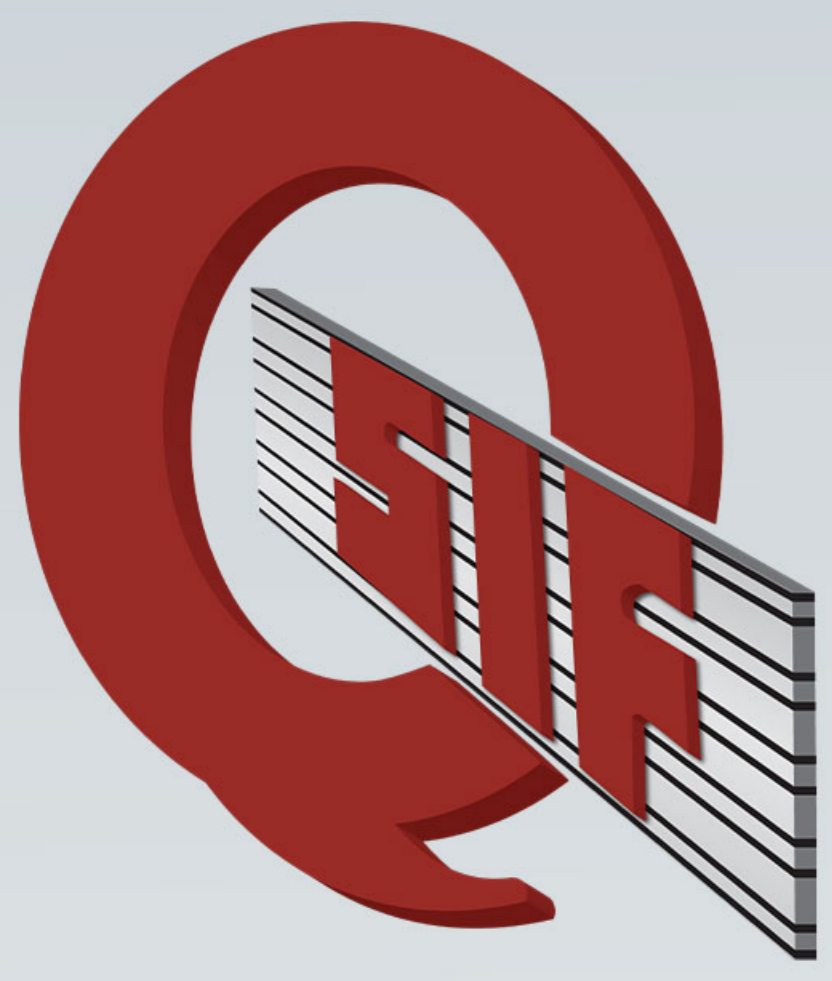
Ridge caps are made of high-quality PPGI Corrugated Sheet which protects against weather conditions such as heat, heavy rain, fire, humidity and more. The Ridge caps shingles are specifically made pre-bent and thicker than regular roof shingles, which are prone to cracking when folded over the ridge, for a better fit and efficiency especially when it comes to repelling water from the roof. Due to the material used to make the Ridge Cap, maintenance required is lowered. Maintaining the Ridge Cap, simply washing it with water will provide cleanliness and restoration of life to the product enabling it to last much longer.

A bonus for the Ridge cap is that it comes in many colours which can be chosen at your convenience to match a roofing theme or for the aesthetically pleasing exterior.

Key features of our ridge caps for single skin sandwich roof panels are as follows:

- Corrosion and rust-free
- Water resistance
- Easy Installation
- Low Maintenance
- Easy to Clean

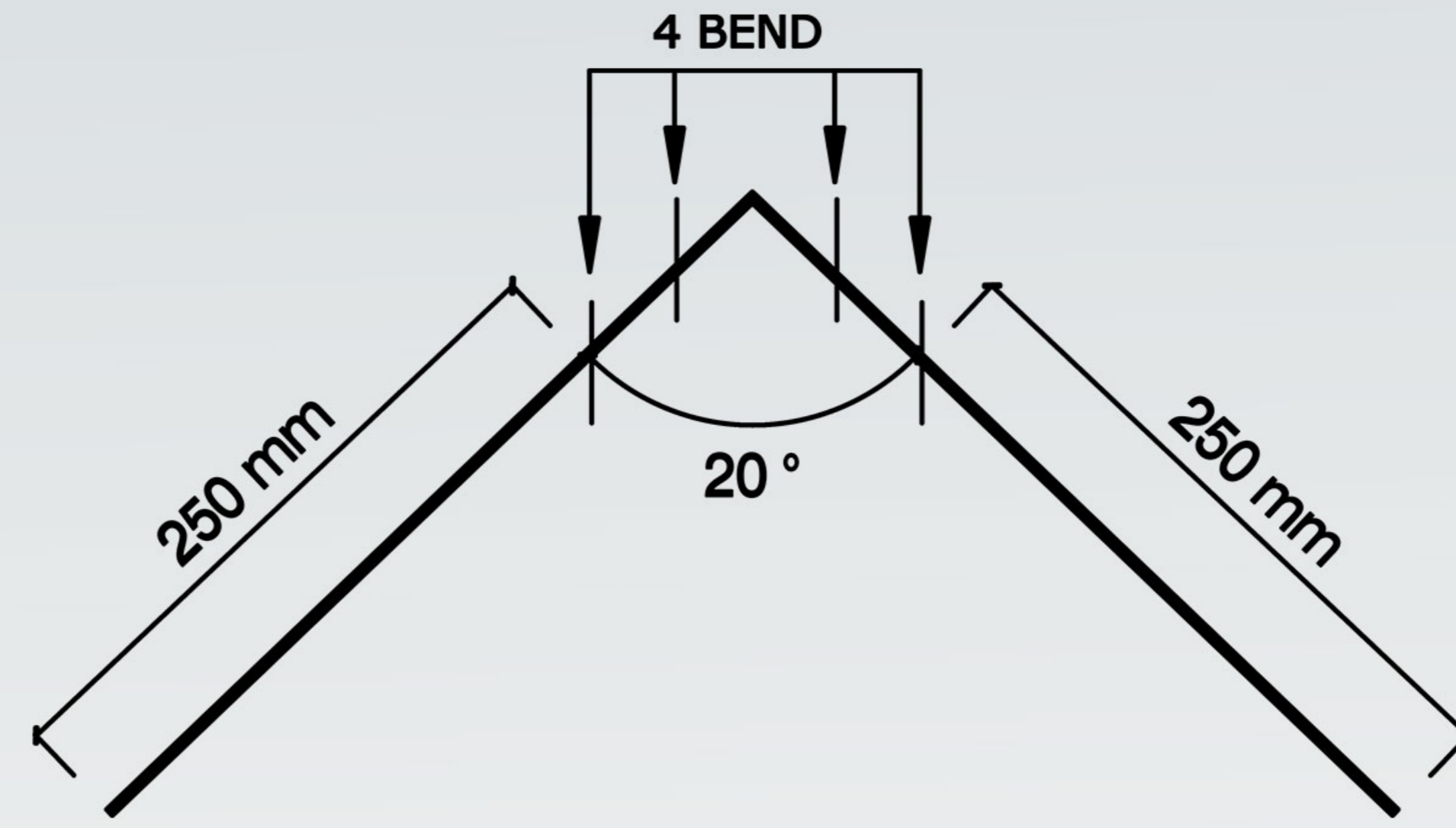




RIDGE CAP FOR SANDWICH PANEL

TECHNICAL DATA SHEET

QATAR STEEL
INDUSTRIES FACTORY (W.L.L)
مصنع قطر للصناعات الحديدية



RIDGE CAP PROFILE FOR 5 CM MACHINE ROOF PANEL AND ARNON 8 MM INSULATION

STANDARD SIZE	250 mm x 250 mm x 1000 mm		
THICKNESS	0.35 mm, 0.40 mm, 0.45 mm		
CUSTOM SIZE	250 mm x 250 mm x 1000 mm to 750 mm x 750 mm x 1000 mm (Numbers of Bend can increase / decrease as per the customer's requirements)		
COLORS			
WHITE (9016)	RED (3001)	DARK GREEN (6024)	LIGHT GREEN (6021)
YELLOW (1016)	DARK BEIGE (1001)	DARK PURPLE (4005)	DARK PINK (3014)
LIGHT GRAY (7047)	DARK GRAY (7040)	LIGHT GREEN (6019)	BLUE (5017)
LIGHT BEIGE (1015)	LIGHT PURPLE (4001)	LIGHT PINK (3015)	ORANGE (2002)

