



**QATAR STEEL**  
INDUSTRIES FACTORY (W.L.L.)  
مصنع قطر للصناعات الحديدية

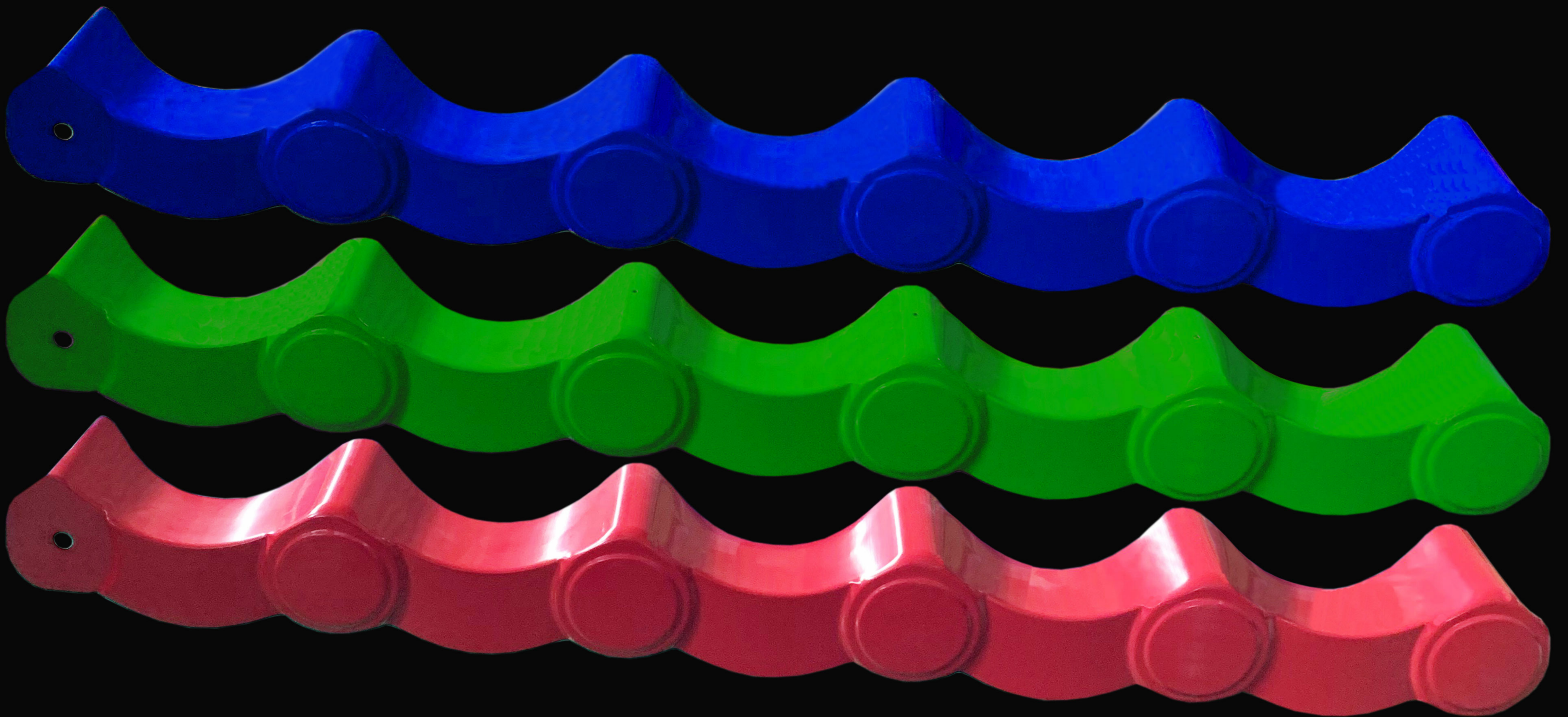
# QATAR ROOFING TILES END OR FRONT CAP

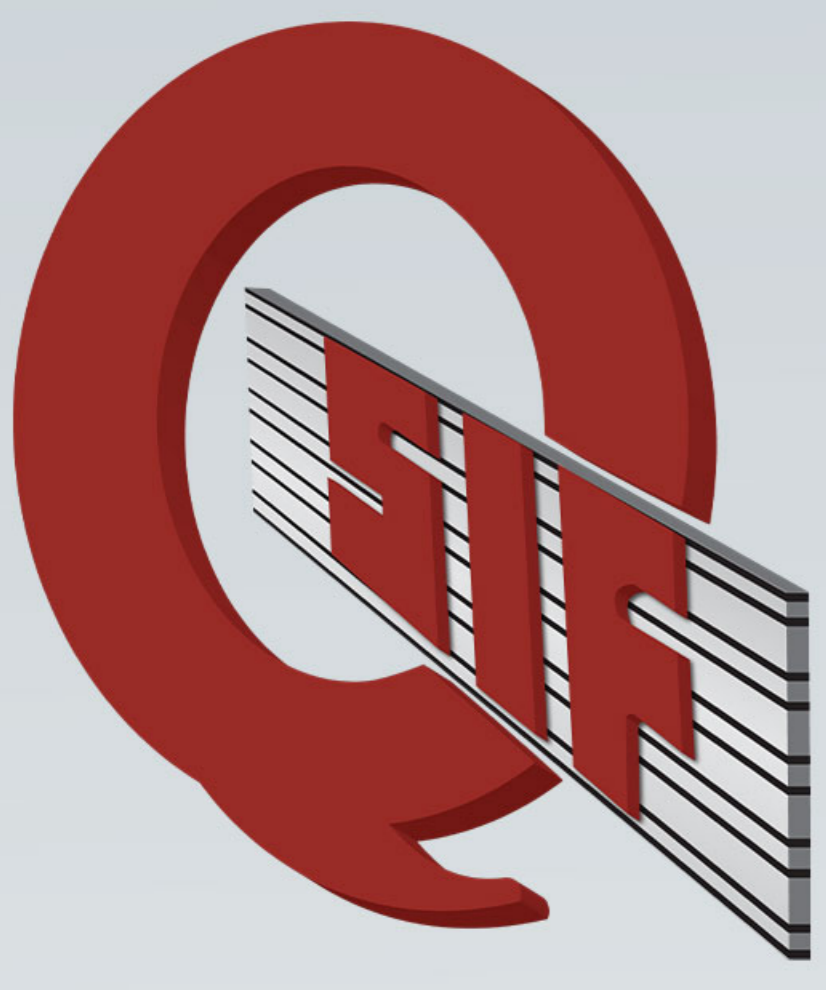
Qatar Steel Industries Factory manufactures end caps or front cover for roofing tiles. End caps are being placed at the end of the roofing tiles. It's one of the metal roofing accessories which are perfect for small outbuildings, chalets, garden sheds, warehouses, and offices.

Our end cap or front cover for roofing tiles are up to 108 cm in length and 10 cm in height. The material is PPGI (Pre-Painted galvanized Iron).

**Our end cap for roofing tiles are having below features:**

- Environment-friendly
- Strong and lightweight
- Very easy to install and no need to cut
- Tough and long-lasting
- Available in attractive design
- Wide range of colors

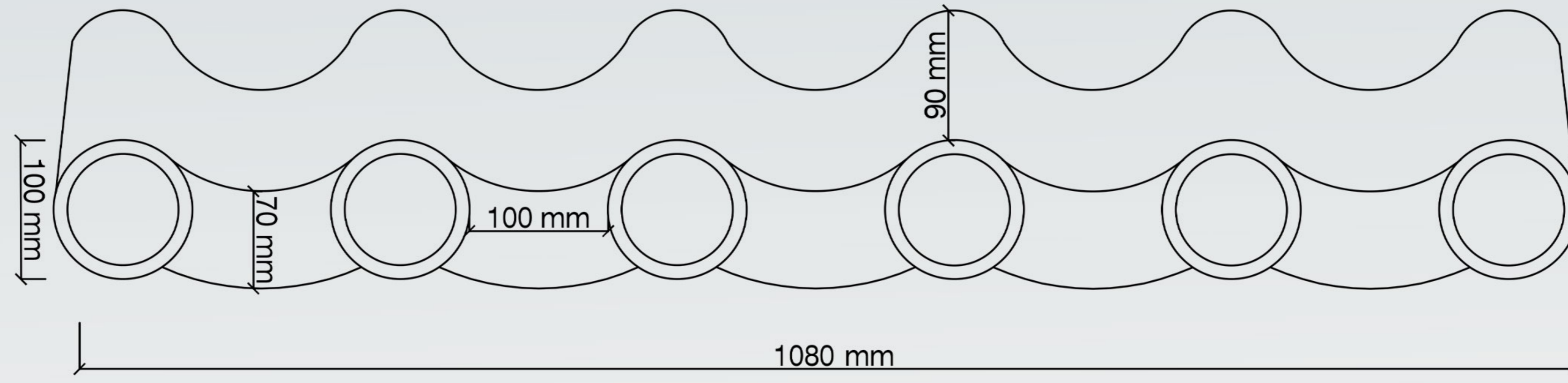




# ROOFING TILE END / FRONT CAP

## TECHNICAL DATA SHEET

**QATAR STEEL**  
INDUSTRIES FACTORY (W.L.L.)  
مصنع قطر للصناعات الحديدية



### FRONT COVER OR END CAP FOR ROOFING TILES

LENGTH	108 cm		
HEIGHT	10 cm		
<b>COLORS</b>			
GREEN	WHITE	RED	BLUE

