



QATAR STEEL
INDUSTRIES FACTORY (W.L.L.)
مصنع قطر للصناعات الحديدية

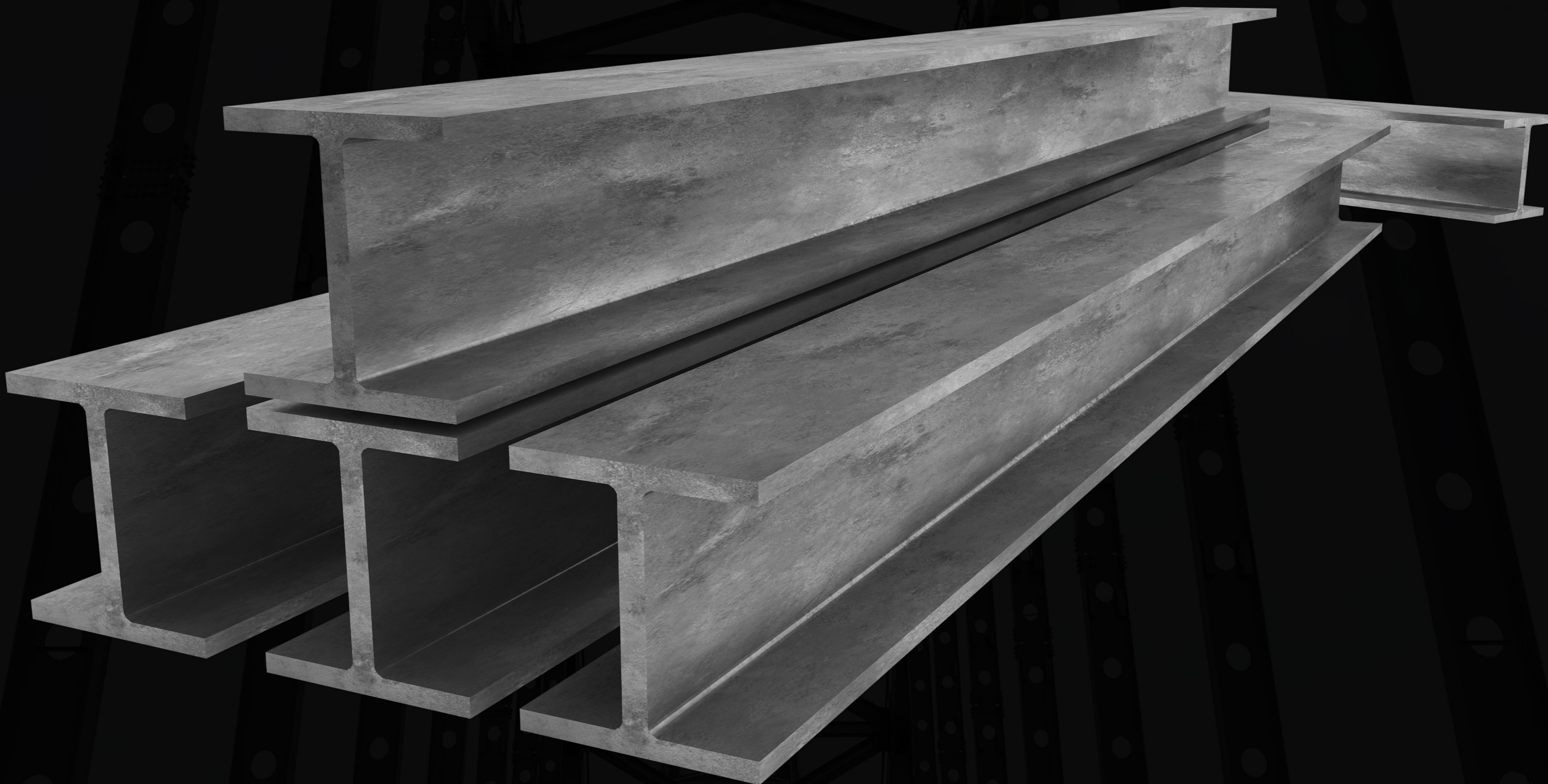
QATAR I BEAMS OR H-BEAMS

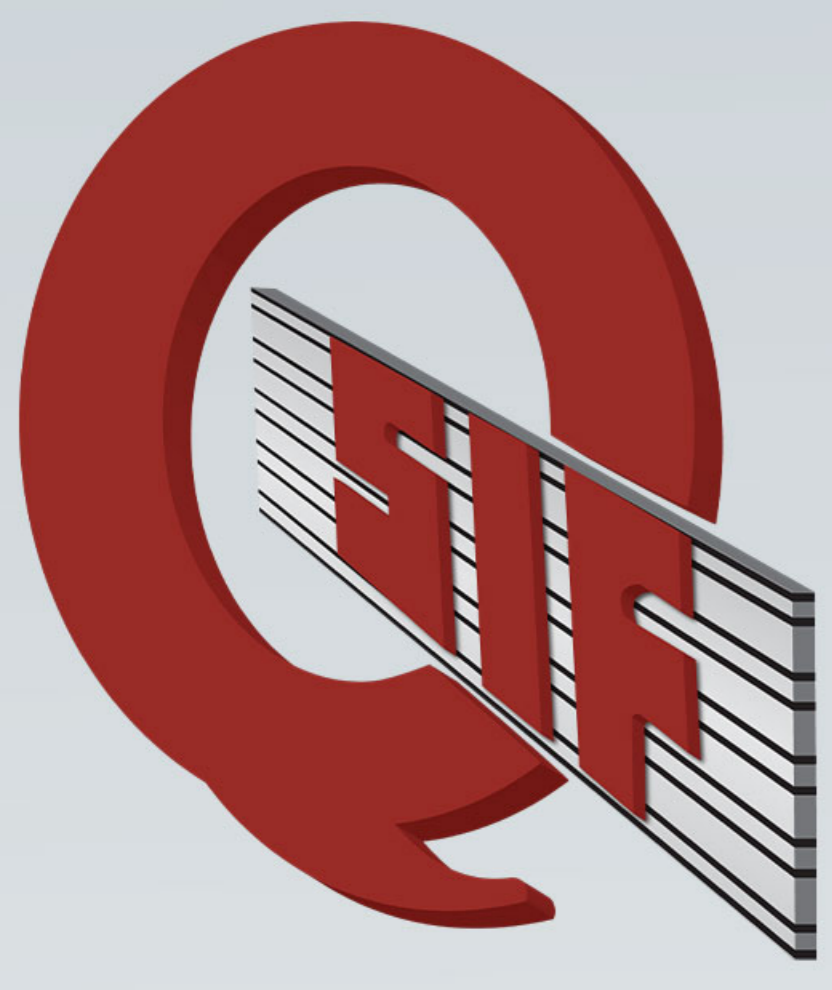
Steel Beams or the more common name I-Beam is widely used in the construction industry and is available in a variety of standard sizes. Tables are available to allow easy selection of a suitable steel I-beam size for a given applied load.

I-Beams may be used both as beams and as columns. Qatar Steel Industries Factory manufactures the I-Beam with a steel grade of S235 and a tolerance of $\pm 10\%$. The depth of H starts from 100 mm and goes up to 240 mm. The width of B starts from 55 mm and goes up to 120 mm. Furthermore, we also manufacture I-beams with fully customised sizes as per the client's or project's requirements.

Some advantages of our I beam are as follows:

- The "I section beam" is useful in resisting large bending moments. It is used in construction, railway tracks etc.
- It can bear higher loads.
- Reduces the deflections.
- I-Beams give good support to structure over it.
- It reduces the load intensity on the below structure.
- Fully customised sizes are available.





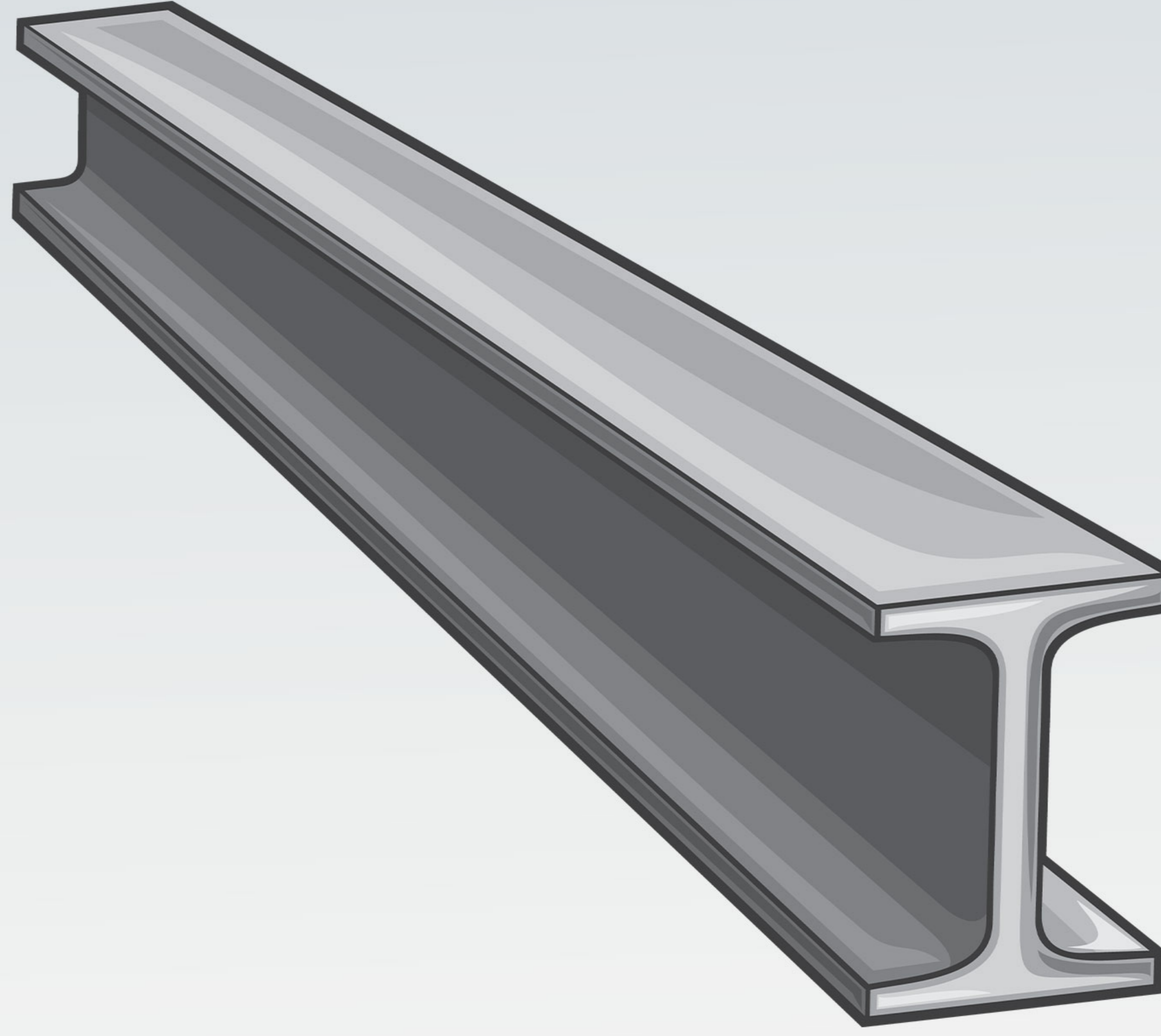
I BEAMS AND H BEAMS

TECHNICAL DATA SHEET

QATAR STEEL

INDUSTRIES FACTORY (W.L.L)

مصنع قطر للصناعات الحديدية



I-BEAMS (STRUCTURAL STEEL)

PROFILE	DEPTH (H) mm	WIDTH (B) mm	FLANGE THICKNESS (S) mm	WEB THICKNESS (T) mm	WEIGHT KG/m
IPE AA 100	100	55	4.30	3.05	7.22
IPE AA 120	120	64	4.50	3.60	9.07
IPE AA 140	140	73	5.80	3.70	10.85
IPE AA 160	160	82	5.60	3.70	13.30
IPE 180	180	91	8.15	5.50	18.75
IPE 200	200	100	7.56	5.50	22.67
IPE 200	200	100	9.00	5.90	
IPE 240	240	120	10.25	6.65	31.75

NOTE: Length: 6 - 12 Meter Specification: EN10025-2:2004 Steel Grade: S235 Tolerance: ±10%

H-BEAMS (STRUCTURAL STEEL)

S. NO.	SIZE	LENGTH	WEIGHT
1	300 x 150 x 6.50 x 9.00 mm	12 Meter	36.70 KG
2	400 x 200 x 8.00 x 13.00 mm	12 Meter	65.40 KG
3	500 x 200 x 10.00 x 16.00 mm	12 Meter	88.10 KG